

Product Features

- Ø FBD System
- Ø Support Start-up Screen (108*64)
- Ø Multiple communication ports
- Ø Password protection, copy protection
- Ø 36 integrated functions, pre-tested functions
- Ø Linking of 1024 function block is possible
- Ø Display of message texts
- Ø Integrated data latch
- Ø Flexibly expandable up to 10000 points
- Ø Support full Modbus protocol
- Ø Free PC software“Yotta Edit”+“Yotta Utility”

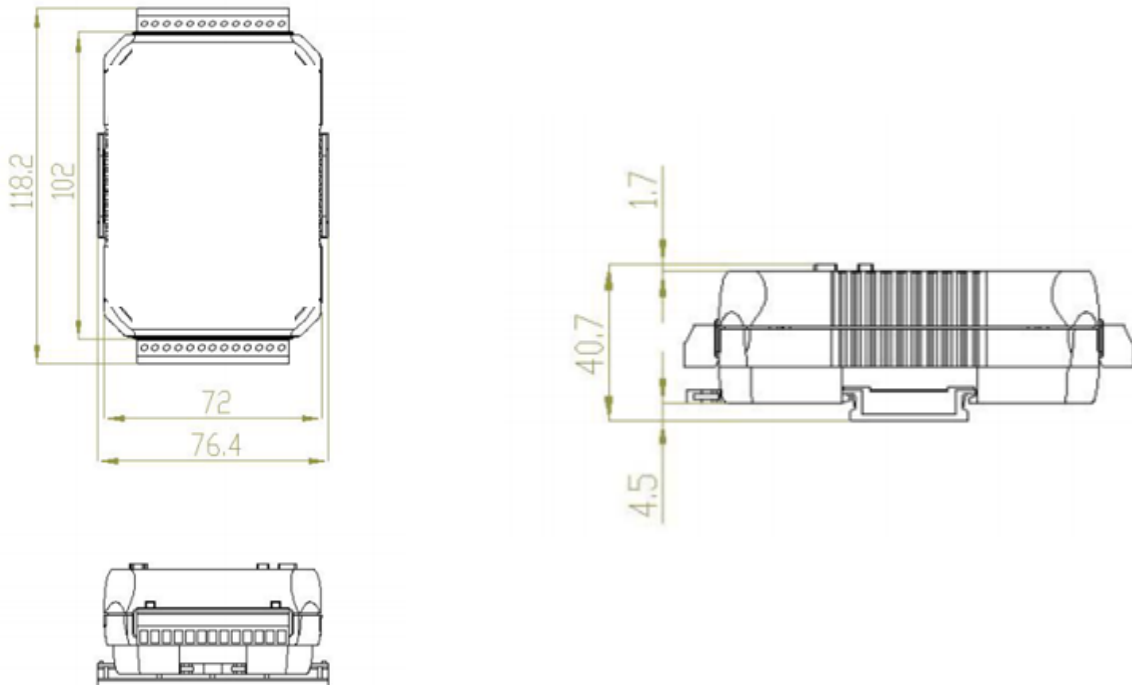


Specifications

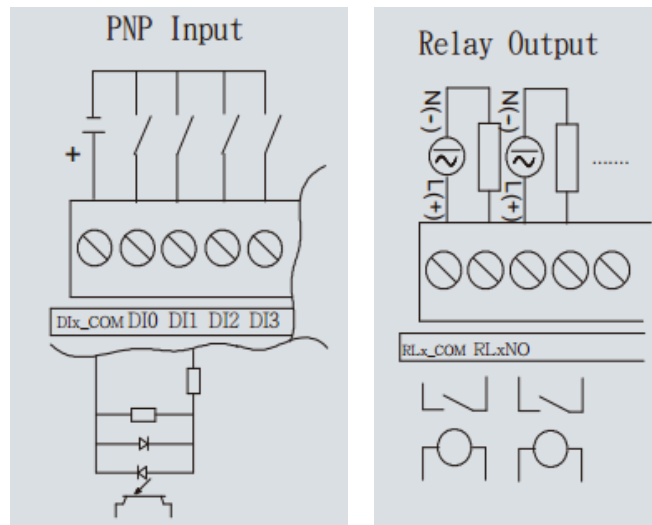
| Technical Specifications | | |
|--|--|-----------------|
| Inputs | 4DI,4AI(0~10V, 10bit) | |
| Outputs | 4DO (Relay Output) | |
| Interface Type | RS-485*2, RS-232 | |
| Support Protocols | ModBus RTU / ModBus ASCII | |
| Data Rate | 1200bps ~ 115200bps | |
| Data Bit | 8 bits | |
| Parity | Odd, Even, None | |
| Stop Bits | 1,2 bits | |
| Isolation Voltage | 5000 VDC | |
| Integrated time switches/reserve power | Yes / > 2 years | |
| Linking of functions | 1024(Max) | |
| Input Rating | Logic Level 0 | +1 VDC (Max) |
| | Logic Level 1 | +3.5~30 VDC |
| High speed input | DIO~DI3 (15KHZ) | |
| Output Rating(Max) | 5 A for resistive load, 2 A for inductive load | |
| Output Frequency | 30Hz | |
| Software | | |
| Configure Options | Yotta Utility / Yotta Editor | |
| OS support | Windows XP/2000/2003/Vista/7 | |
| LED Indicators | POWER/RUN BAT/COMM | Red/Green/Green |
| Power Supply | 10~30VDC | |

| | |
|-------------------------------------|---------------------------|
| Power Consumption | Nearly 24VDC 2.28W |
| Physical Characteristics | |
| Installation | DIN-Rail Mounting |
| Housing | Plastic ABS |
| Weight | 0.25Kg |
| Dimensions | 118 × 76 × 40.7 mm |
| Operating Temperature | -20 ~ 75°C |
| Storage Temperature | -25 ~ 80°C |
| Ambient Relative Humidity | 5% to 95%(non-condensing) |
| Standards and Certifications | |
| RoHS, CE | |

Dimension



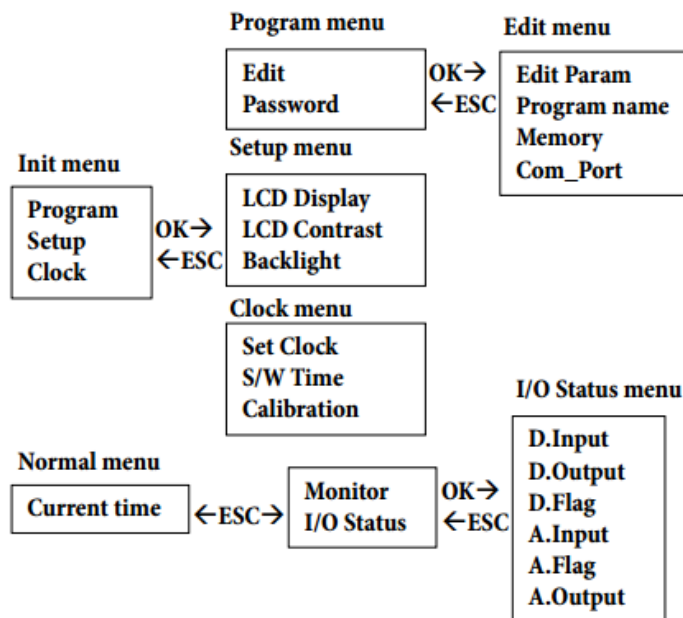
Diagram



Order Information

| Model No | Description | Interface |
|----------|--|--------------------|
| A-1188 | 8DI, 4DO, Relay Output, DC Power Supply, LED indicator | RS-485*2, RS-232*1 |
| A-1188D | 8DI, 4DO, Relay Output, DC Power Supply, LCD Monitor | RS-485*2, RS-232*1 |
| A-1189 | 4AI(0~10V), 4DI, 4DO, Relay Output, DC Power Supply, LED indicator | RS-485*2, RS-232*1 |
| A-1189D | 4AI(0~10V), 4DI, 4DO, Relay Output, DC Power Supply, LCD Monitor | RS-485*2, RS-232*1 |

LCD Monitor



Contact us

Shenzhen ATC Technology Co., Ltd

Room 803, Block B, Building 4, Tian'an Cyber Park, Longgang District, Shenzhen, China, 518172

Tel: +86-755 - 8345 2531 / 8345 3318

Fax: +86-755-2899 8985